

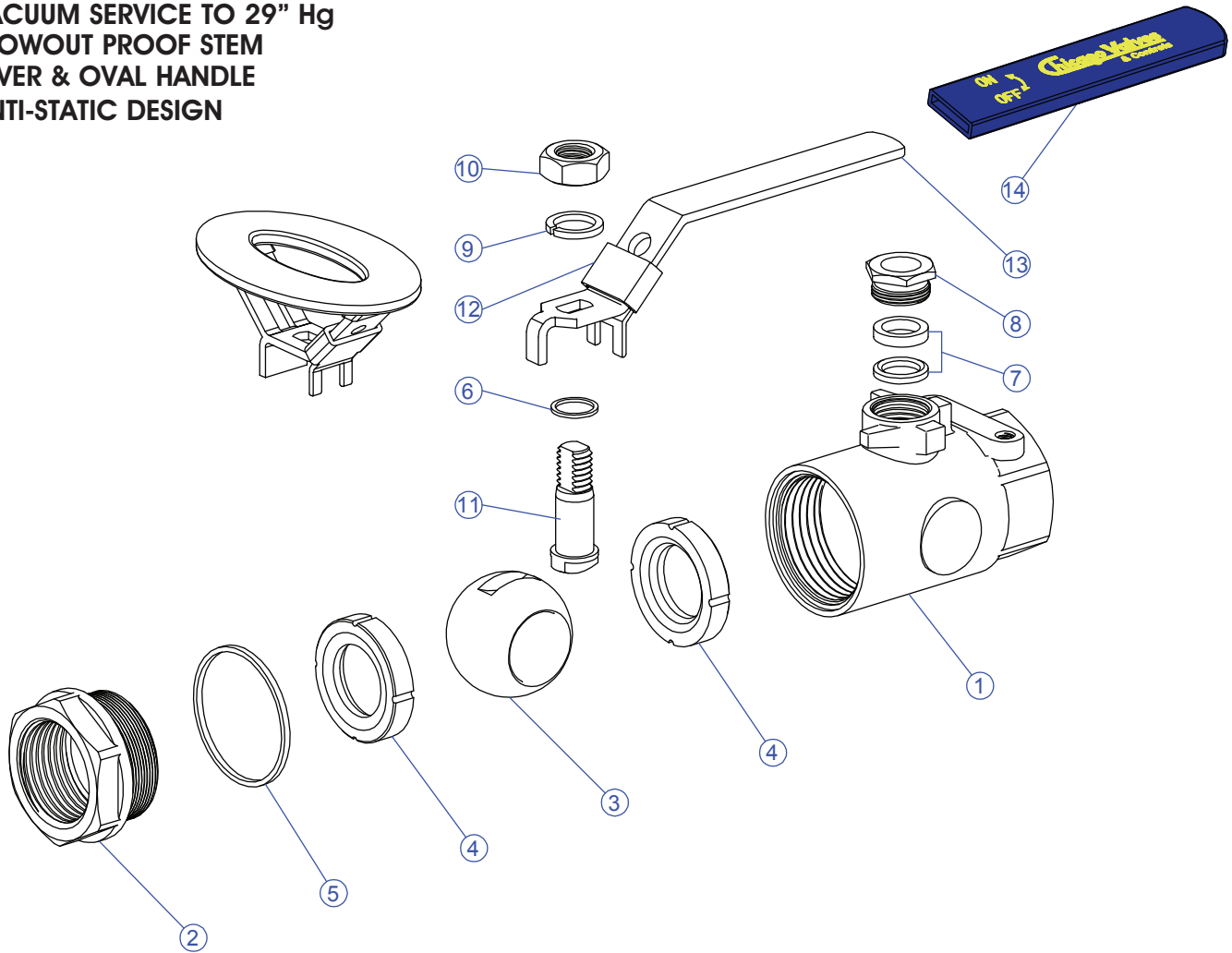
# Chicago Valves & Controls



————— **SERIES 24** —————  
**STANDARD PORT THREADED  
2PC BALL VALVE**

**2000 CWP (1/4"-1")**  
**1500 CWP (1-1/4"-2")**  
**316 STAINLESS STEEL - ASTM A351 CF8M**  
**CARBON STEEL - ASTM A216 WCB**  
**150 WSP**  
**VACUUM SERVICE TO 29" Hg**  
**BLOWOUT PROOF STEM**  
**LEVER & OVAL HANDLE**  
**ANTI-STATIC DESIGN**

**Series 24**



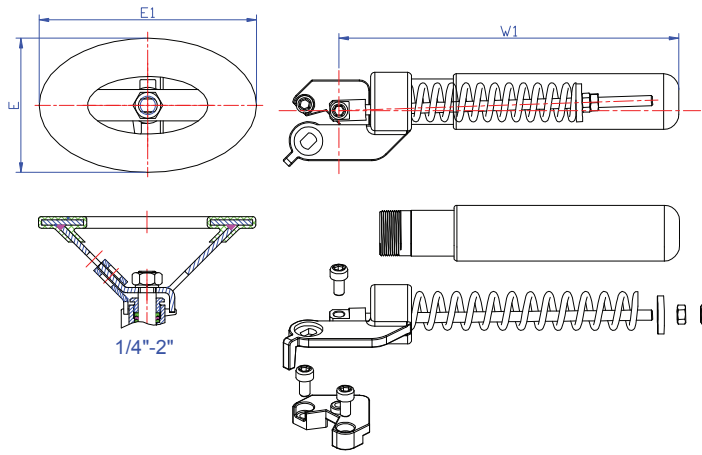
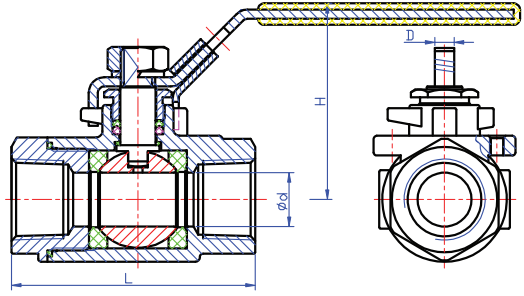
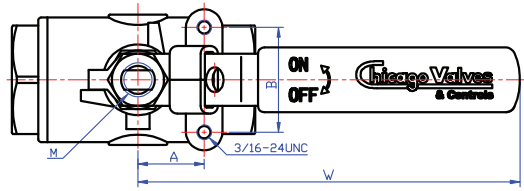
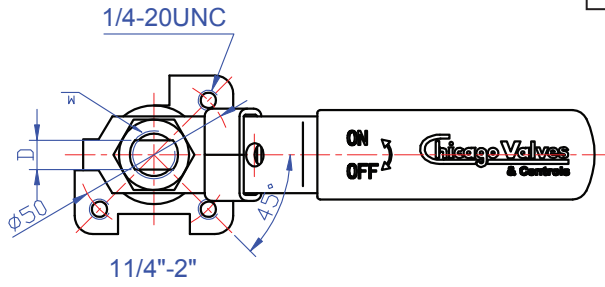
**PARTS AND MATERIAL**

PART NO.	PART NAME	QTY.	MATERIAL
1	Body	1	Carbon Steel ASTM A216 WCB 316 Stainless Steel ASTM A351 CF8M
2	End Piece	1	Carbon Steel ASTM A216 WCB 316 Stainless Steel ASTM A351 CF8M
3	Ball	1	316 Stainless Steel
4	Seat	2	RTFE Carbon Fill PTFE
5	Body Seal	1	PTFE
6	Thrust Washer	1	Carbon Fill PTFE
7	Stem Packing	2	PTFE
8	Packing Nut	1	300 Series Stainless Steel
9	Lock Washer	1	300 Series Stainless Steel
10	Handle Nut	1	300 Series Stainless Steel
11	Stem	1	316 Stainless Steel
12	Locking Device	1	300 Series Stainless Steel
13	Handle	1	300 Series Stainless Steel
14	Handle Sleeve	1	PVC

**SPRING LOADED HANDLE**

PART NO.	PART NAME	QTY.
1	Handle Gland	1
2	Socket Screw	2
3	Head Cap	1
4	Machine Screw	1
5	Threaded Rod	1
6	Spring Coil	1
7	Flat Washer	1
8	Hex Nut	2
9	Handle Pipe	1
10	Handle Sleeve	1

# Series 24



## DIMENSIONS (INCHES)

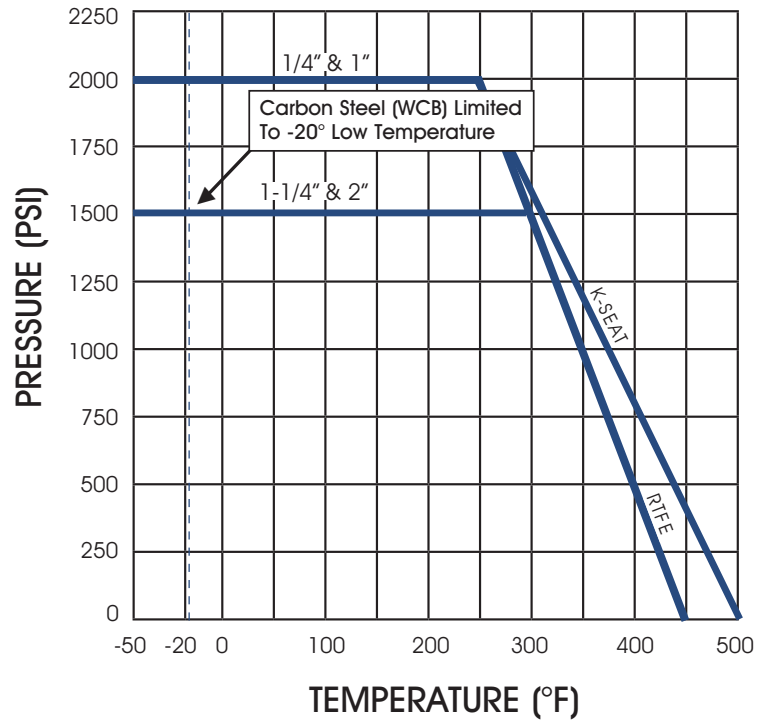
SIZE	d	L	H	W	W1	D	E	E1	A	B	M
1/4"	0.46	2.25	2.13	3.94	7.24	0.21	2.48	4.02	0.45	1.11	5/16-18UNC
3/8"	0.50	2.25	2.13	3.94	7.24	0.21	2.48	4.02	0.45	1.11	5/16-18UNC
1/2"	0.50	2.32	2.13	3.94	7.24	0.21	2.48	4.02	0.45	1.11	5/16-18UNC
3/4"	0.69	3.12	2.50	4.88	7.24	0.25	2.48	4.02	0.85	1.34	7/16-14UNC
1"	0.88	3.40	2.66	4.88	9.21	0.25	2.48	4.02	1.03	1.34	7/16-14UNC
1-1/4"	1.00	4.08	3.47	5.75	7.24	0.37	3.19	5.20			5/8-18UNC
1-1/2"	1.26	4.35	3.63	5.75	12.99	0.37	3.19	5.20			5/8-18UNC
2"	1.50	5.39	3.82	5.75	12.99	0.37	3.19	5.20			5/8-18UNC

**APPLICABLE STANDARDS**

SHELL TEST	ASME B16.34
SEAT TEST	ASME B16.34
THREADED ENDS	ASME B16.11

SIZE	CV (GPM)	WEIGHT (LBS)
1/4"	6	0.75
3/8"	7	0.71
1/2"	7	0.75
3/4"	25	1.41
1"	25	1.76
1-1/4"	35	3.22
1-1/2"	46	4.32
2"	80	6.08

**PRESSURE-TEMPERATURE RATINGS SERIES 24**



**HOW TO ORDER**

<b>1"</b> Size	<b>24</b> Series	<b>6</b> Body <b>6</b> Ball & Stem	<b>R</b> Seats	<b>OH</b> Options
<b>SIZE</b>	<b>SERIES</b>	<b>BODY</b>	<b>SEATS</b>	<b>Options</b>
1/4"	24	4 Carbon Steel	R RTFE	SR Spring Return Handle
3/8"		6 316 Stainless Steel	K Carbon Fill PTFE	OH Oval Handle
1/2"				
3/4"				
1"				
1-1/4"		<b>BALL &amp; STEM</b>		
1-1/2"		6 316 Stainless Steel		
2"				





**Toll-Free (833) 831-2312**  
**Local (312) 637-3557**  
 Fax: (312) 637-3543  
 E-Mail: [sales@chicagovalves.com](mailto:sales@chicagovalves.com)  
[www.chicagovalves.com](http://www.chicagovalves.com)  
 885 Cambridge Dr.  
 Elk Grove Village, Illinois 60007 U.S.A.

Due to ongoing development of our product line, specifications subject to change without notice. Teflon® is a registered trademark of E.I. DuPont.