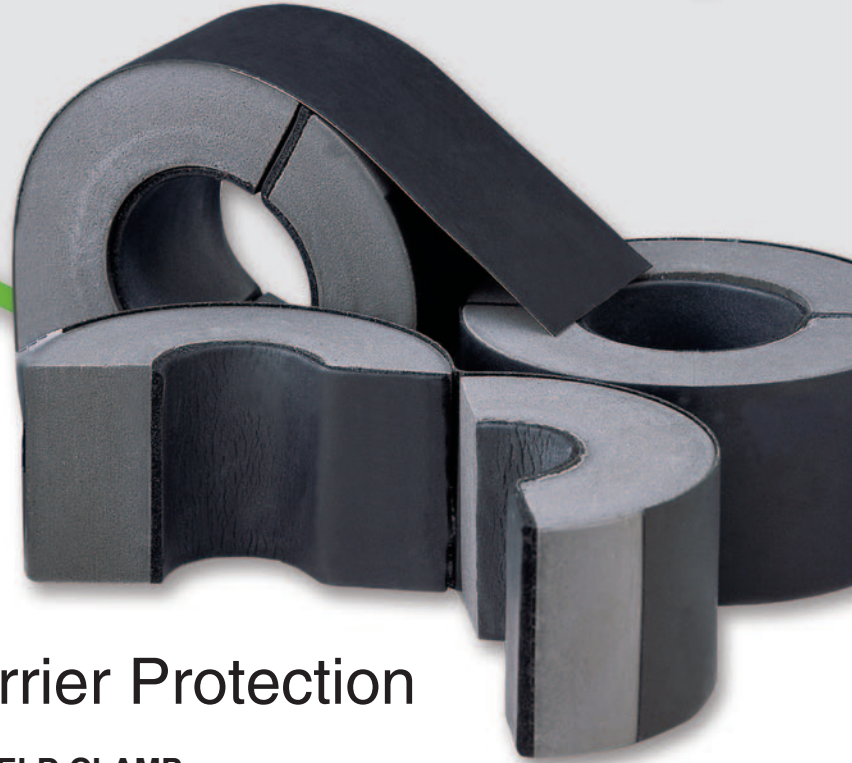
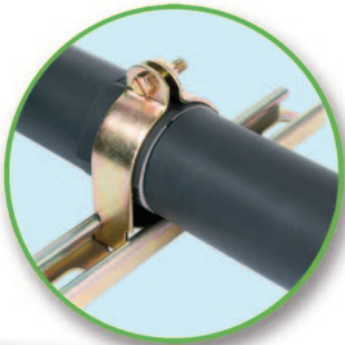


CIT – Therma-Shield Clamp



Vapor Barrier Protection

CIT THERMA-SHIELD CLAMP

The CIT Therma-Shield Clamp is a fast and easy way to provide a crush-resistant, airtight seal for chilled refrigeration or mechanical pipe lines that require continuous insulation.

The rigid foam construction has an insulating tape inner lining which supports tube and absorbs vibration of operating pipelines. The outer cover consists of a special rubber coating which seals the cushion completely after installation in order to prevent condensation. Its strong closed-cell structure is ideal for liquid cooling lines to prevent condensation and save energy.



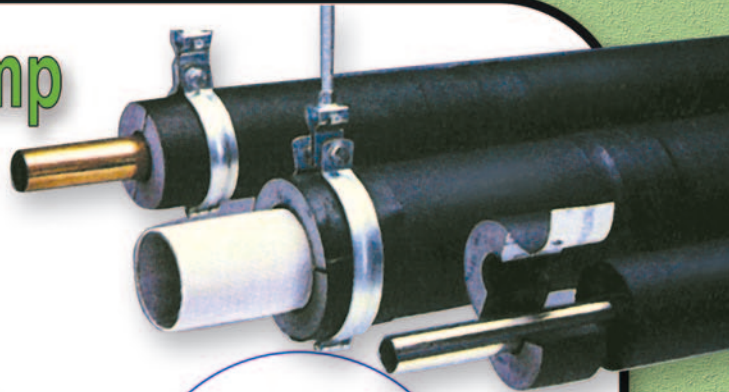
PHOENIX
SUPPORT SYSTEMS

931 Summit Avenue
Niles, Ohio 44446, USA
Tel: 800-721-0404
www.phoenixsupports.com

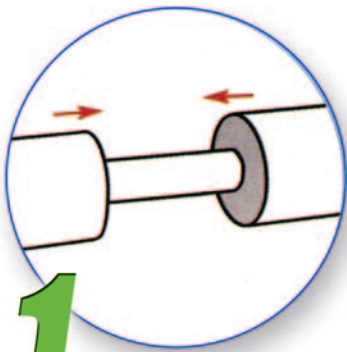
CIT – Therma-Shield Clamp



PHOENIX
SUPPORT SYSTEMS

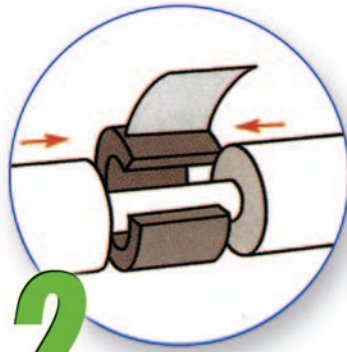


Installation is as easy as 1-2-3...



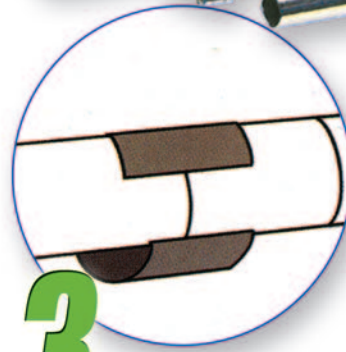
1

Insulation slides over pipes.



2

Pipe hanger inserts are put in place & glued to insulation.



3

Joints are wrapped & sealed with ProTape.

NOTE: Complete assembly supplied with gold electro-galvanized channel clamp and hardware.

Dimensions (Inches)					Nominal 1/2" Wall Thickness		Nominal 3/4" Wall Thickness		Nominal 1" Wall Thickness		Nominal 1-1/2" Wall Thickness		Nominal 2" Wall Thickness	
Hole Size	Copper I.D.	Pipe O.D.	IPS	Length	Part No.	Cushion O.D.	Part No.	Cushion O.D.	Part No.	Cushion O.D.	Part No.	Cushion O.D.	Part No.	Cushion O.D.
3/8 ID	1/4	3/8	-	2.95	CIT 3812	1.33	CIT 3834	1.81	CIT 3810	2.31	CIT 3815	3.31	-	
1/2 ID	3/8	1/2	1/4	2.95	CIT 1212	1.44	CIT 1234	1.89	CIT 1210	2.39	CIT 1215	3.39	-	
5/8 ID	1/2	5/8	3/8	2.95	CIT 5812	1.56	CIT 5834	2.05	CIT 5810	2.54	CIT 5815	3.54	CIT 5820	4.54
3/4 ID	5/8	3/4	-	2.95	CIT 3412	1.69	CIT 3434	2.22	CIT 3410	2.71	CIT 3415	3.71	CIT 3420	4.71
7/8 ID	3/4	7/8	1/2	2.95	CIT 7812	1.81	CIT 7834	2.44	CIT 7810	2.82	CIT 7815	3.82	CIT 7820	4.82
1 1/8 ID	1	1 1/8	3/4	2.95	CIT 11812	2.19	CIT 11834	2.76	CIT 11810	3.06	CIT 11815	4.06	CIT 11820	5.06
1 3/8 ID	1 1/4	1 3/8	1	2.95	CIT 13812	2.31	CIT 13834	3.19	CIT 13810	3.33	CIT 13815	4.33	CIT 13820	5.33
1 5/8 ID	1 1/2	1 5/8	1 1/4	2.95	CIT 15812	2.56	CIT 15834	3.35	CIT 15810	3.65	CIT 15815	4.65	CIT 15820	5.65
1 7/8 ID	-	1 7/8	-	2.95	CIT 17812	2.81	CIT 17834	3.58	CIT 17810	4.43	CIT 17815	5.43	CIT 17820	6.43
2 1/8 ID	2	2 1/8	-	2.95	CIT 21812	3.23	CIT 21834	3.86	CIT 21810	4.16	CIT 21815	5.16	CIT 21820	6.16
2 3/8 ID	2 1/4	2 3/8	2	2.95	CIT 23812	3.48	CIT 23834	4.29	CIT 23810	3.92	CIT 23815	4.92	CIT 23820	5.92
2 5/8 ID	2 1/2	2 5/8	-	3.94	CIT 25812	4.13	CIT 25834	4.87	CIT 25810	4.87	CIT 25815	5.87	CIT 25820	6.87
2 7/8 ID	-	2 7/8	2 1/2	3.94	CIT 27812	4.38	CIT 27834	4.57	CIT 27810	4.67	CIT 27815	5.67	CIT 27820	6.67
3 1/8 ID	3	3 1/8	-	3.94	CIT 31812	4.63	CIT 31834	5.00	CIT 31810	5.14	CIT 31815	6.14	CIT 31820	7.14
3 1/2 ID	-	3 1/2	3	3.94	CIT 31212	4.88	CIT 31234	5.35	CIT 31210	5.89	CIT 31215	6.89	CIT 31220	7.89
3 5/8 ID	3 1/2	3 5/8	-	3.94	CIT 35812	5.13	CIT 35834	5.94	CIT 35810	6.44	CIT 35815	7.44	CIT 35820	8.44
4 1/8 ID	4	4 1/8	3 1/2	3.94	CIT 41812	5.63	CIT 41834	6.14	CIT 41810	6.48	CIT 41815	7.48	CIT 41820	8.48

The only airtight, crush-resistant insulation clamp on the market.

- Maintains vapor barrier protection
- Prevents condensation
- Properly supports pipe and tube
- Absorbs vibration

