

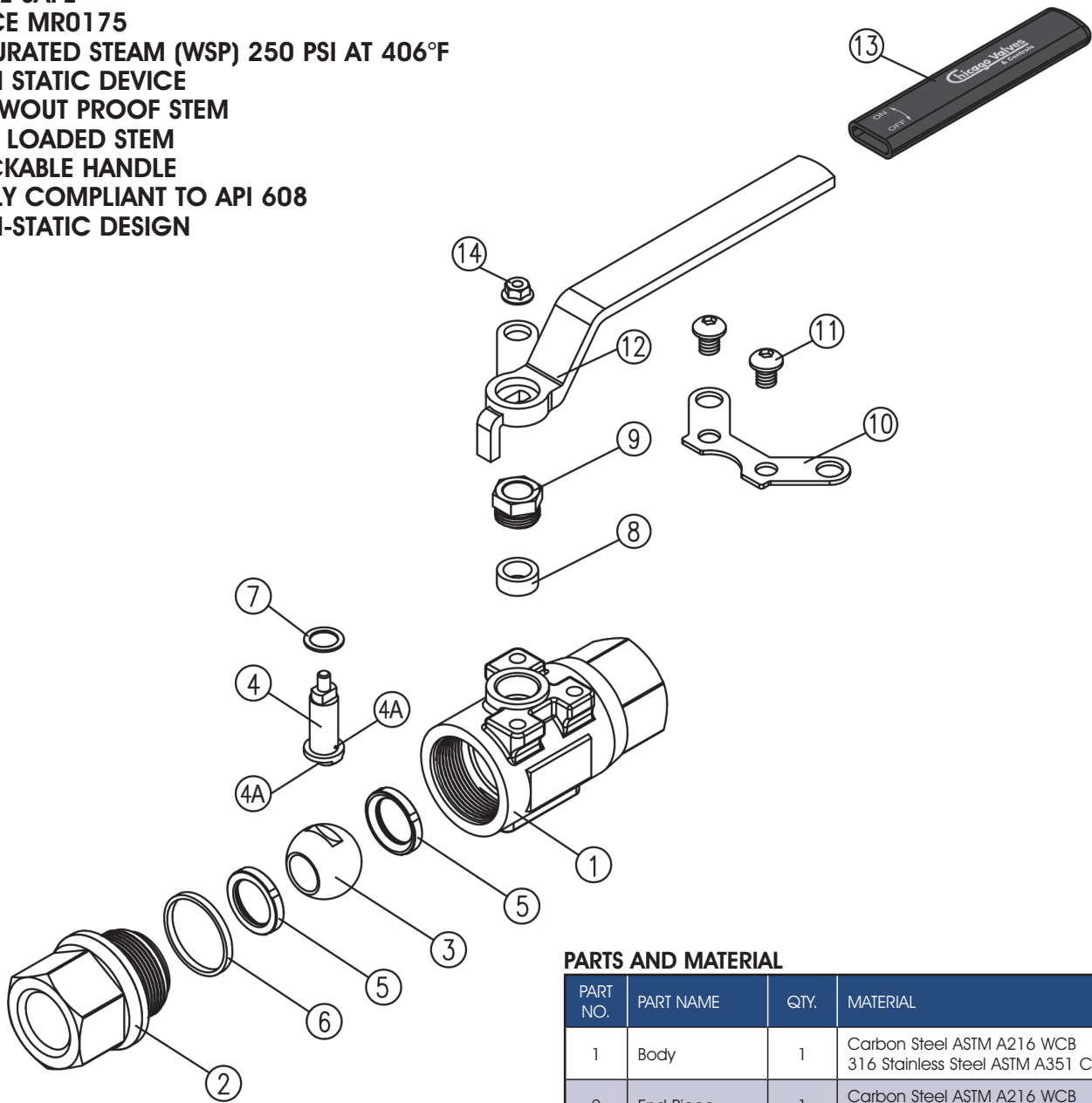
Chicago Valves & Controls



SERIES 29/FS29
SEAL WELD CLASS 2500
BALL VALVE

6000 CWP
316 STAINLESS STEEL - ASTM A351 CF8M
CARBON STEEL - ASTM A216 WCB
***FIRE SAFE**
NACE MR0175
SATURATED STEAM (WSP) 250 PSI AT 406°F
ANTI STATIC DEVICE
BLOWOUT PROOF STEM
LIVE LOADED STEM
LOCKABLE HANDLE
FULLY COMPLIANT TO API 608
ANTI-STATIC DESIGN

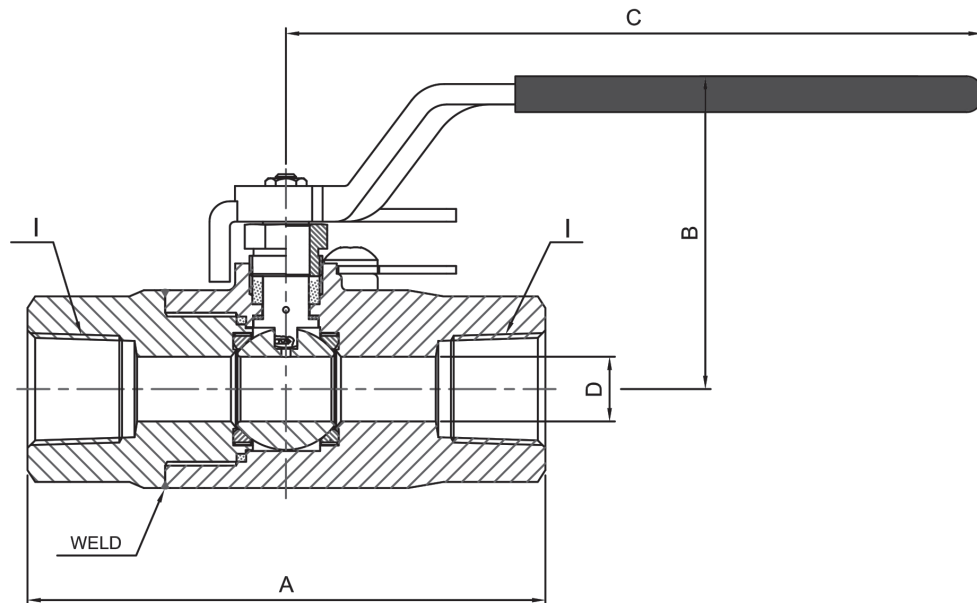
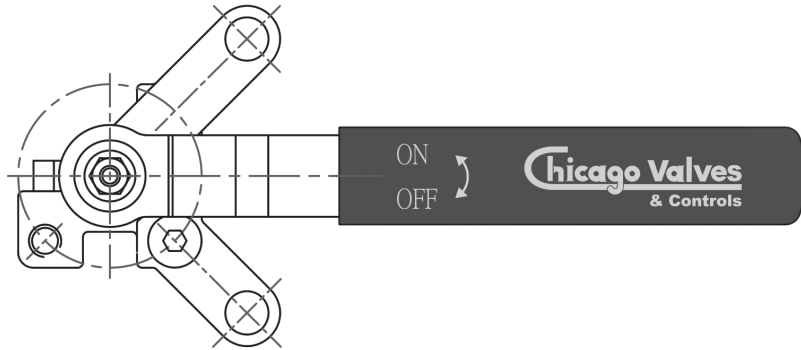
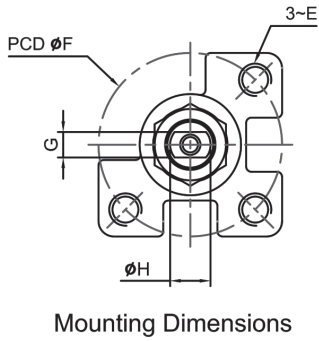
Series FS29



PARTS AND MATERIAL

PART NO.	PART NAME	QTY.	MATERIAL
1	Body	1	Carbon Steel ASTM A216 WCB 316 Stainless Steel ASTM A351 CF8M
2	End Piece	1	Carbon Steel ASTM A216 WCB 316 Stainless Steel ASTM A351 CF8M
3	Ball	1	316 Stainless Steel
4	Stem	1	316 Stainless Steel
4A	Anti-Static Ball	2	300 Series Stainless Steel Hard Drawn Stainless Steel
5	Seat	2	PEEK, Delrin
6	Body Seal	1	Graphite
7	Thrust Bearing	1	PEEK
8	Stem Packing	1 Set	Graphite
9	Packing Nut	1	304 Stainless Steel
10	Travel Stopper	1	304 Stainless Steel
11	Screw	2	304 Stainless Steel
12	Handle	1	Carbon Steel ASTM A216 WCB
13	Handle Sleeve	1	PVC
14	Flange Nut	1	304 Stainless Steel

Series FS29



DIMENSIONS (INCHES)

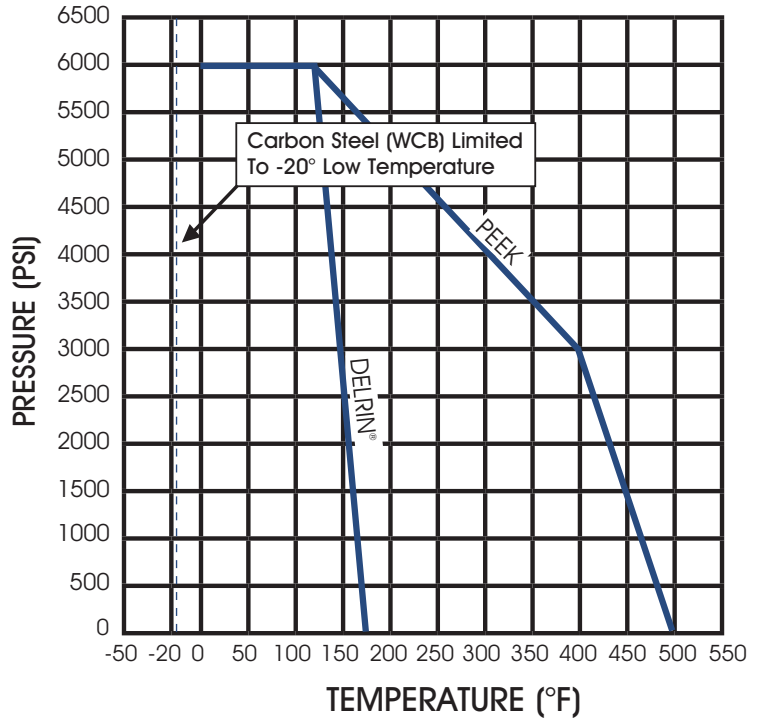
SIZE	A	B	C	D	E	F	G	H	I	ISO5211
1/4"	2.99	2.43	5.12	0.25	1/4-20UNC	1.42	0.20	0.31	NPT	F03
3/8"	2.99	2.43	5.12	0.25	1/4-20UNC	1.42	0.20	0.31	NPT	F03
1/2"	4.00	2.43	5.12	0.50	1/4-20UNC	1.42	0.20	0.31	NPT	F03
3/4"	4.25	2.99	5.71	0.75	1/4-20UNC	1.65	0.28	0.44	NPT	F04
1"	4.25	2.99	5.71	0.75	1/4-20UNC	1.65	0.28	0.44	NPT	F04
1"	4.75	3.85	10.00	1.00	1/4-20UNC	1.97	0.35	0.56	NPT	F05
1-1/2"	5.29	4.66	13.78	1.50	5/16-18UNC	2.76	0.39	0.62	NPT	F07
2"	6.25	4.66	13.78	1.50	5/16-18UNC	2.76	0.39	0.62	NPT	F07

APPLICABLE STANDARDS

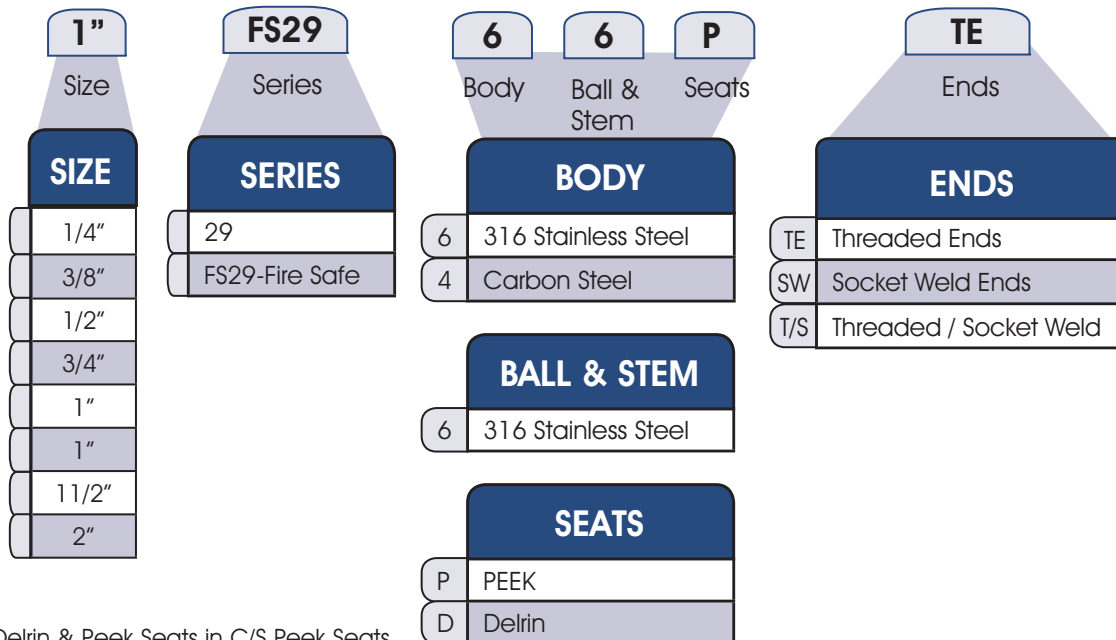
BASIC DESIGN	ASTM B16.34 CLASS 2500
SHELL & SEATS PRESSURE TEST	ASME B16.34
SOCKET WELD ENDS	ASME B16.11
THREADED ENDS	ASME B16.11
FIRE SAFE	API 607 6th EDITION (Fire Safe Only)

SIZE	CV (GPM)	WEIGHT (LBS)
1/4"	6.1	1.54
3/8"	6.1	1.50
1/2"	26	2.03
3/4"	61	3.48
1"	51	3.97
1"	114	6.13
1-1/2"	272	13.85
2"	229	16.93

PRESSURE-TEMPERATURE RATINGS SERIES 29



HOW TO ORDER



* FS in SST Delrin & Peek Seats in C/S Peek Seats

Chicago Valves & Controls



Toll-Free (833) 831-2312

Local (312) 637-3557

Fax: (312) 637-3543

E-Mail: sales@chicagovalves.com

www.chicagovalves.com

885 Cambridge Dr.

Elk Grove Village, Illinois 60007 U.S.A.